

Thermo Scientific 96-well Polypropylene Plates



96-well Polypropylene Plates are the ideal storage plate. Polypropylene has low binding characteristics, allowing complete sample recovery.

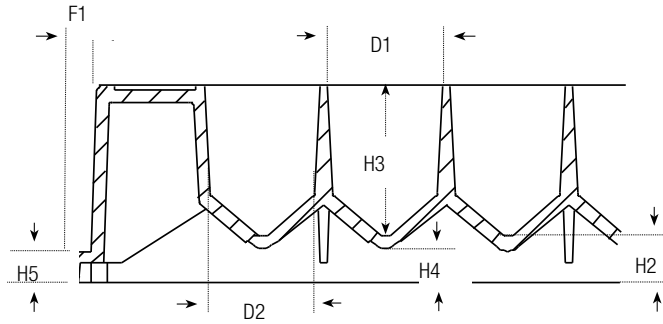
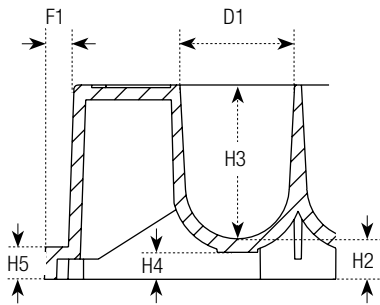
Withstands temperatures from -80°C to $+121^{\circ}\text{C}$; available in a variety of colors for quick identification of your storage plates.

Nunc microplates have shared-wall technology, which increases well volume and widens cells to improve mixing.

details

- Wider wells and rounded bottom improve mixing
- Conical bottom wells for optimal sample recovery
- Excellent chemical resistance
- Black and white plates are available for fluorescent- and luminescent-based applications
- Low-binding for homogeneous assays and storage
- Ideal collection plate for Nunc Filter Plates
- U96-well plates – working volume range: 20 to 450 μL /well
- V96-well plates – working volume range: 10 to 400 μL /well
- Certified RNase/DNase-free

Compliance: All Thermo Scientific microplates meet the recommendation of the American National Standards Institute (ANSI).



	mm
Total height of plate	14.5 ± 0.3
H2 Vertical distance from inside well bottom to resting plane	3.1
H3 Inside depth of well	11.2
H4 Vertical distance from external well bottom to resting plane	2.0
H5 Height of flange on the short side	2.4
D1 Well diameter, top	8.5
F1 Depth of flange	1.7

	mm
Total height of plate	14.4 ± 0.1
H2 Vertical distance from inside well bottom to resting plane	3.4
H3 Inside depth of well	11.0
H4 Vertical distance from external well bottom to resting plane	2.5
H5 Height of flange on the short side	2.3
H6 Height of flange on the long side	7.5
D1 Well diameter, top	8.5
D2 Well diameter, bottom	V-bottom
F1 Depth of flange	1.7

96-Well Polypropylene MicroWell Plates

Cat. No.	Surface	Well Design	Color	Total Vol., µL	Sterile	Lid	No. per Pack	No. per Case
249943	Non-Treated	96 V	Red	450	No	No	20	120
249944	Non-Treated	96 V	Natural	450	No	No	20	120
249945	Non-Treated	96 V	Black	450	No	No	20	120
249946	Non-Treated	96 V	Natural	450	Yes	No	20	120
249947	Non-Treated	96 V	Yellow	450	No	No	20	120
249949	Non-Treated	96 V	White	450	No	No	20	120
249950	Non-Treated	96 V	Blue	450	No	No	20	120
442587*	Non-Treated	96 V	Natural	300	No	No	5	60
267245	Non-Treated	96 U	Natural	500	No	No	10	120
267334	Non-Treated	96 U	Natural	500	Yes	No	10	120
267342	Non-Treated	96 U	Black	500	No	No	10	120
267350	Non-Treated	96 U	White	500	No	No	10	120
267369	Non-Treated	96 U	Red	500	No	No	10	120
267385	Non-Treated	96 U	Blue	500	No	No	10	120
267407	Non-Treated	96 U	Yellow	500	No	No	10	120
95040410	Non-Treated	96 Square	Natural	500	No	No	5	50

* Pinch bar design; does not meet ANSI standard.



WolfLabs

Pricing on any accessories shown can be found by keying the part number into the search box on our website.

The specifications listed in this brochure are subject to change by the manufacturer and therefore cannot be guaranteed to be correct. If there are aspects of the specification that must be guaranteed, please provide these to our sales team so that details can be confirmed.

www.wolflabs.co.uk

Tel : 01759 301142

Fax : 01759 301143

sales@wolflabs.co.uk

Please contact us if this literature doesn't answer all your questions.